

MCS 95

5.1 Surround Speaker System

Español

MCS 95

Sistema Multicanal Boston

Français

MCS 95

Haut-parleur multivoix Boston

Specifications	Satellites	Center Channel	Subwoofer
Frequency Response:	120Hz – 20kHz	120Hz – 20kHz	50 - 150Hz
Recommended Amplifier Power Range:	10 – 100 watts	10 – 100 watts	—
Sensitivity:	88dB [2.8v at 1m]	88dB [2.8v at 1m]	—
Nominal Impedance:	8 ohms	8 ohms	—
Crossover Frequency:	3,000Hz	3,000Hz	60Hz - 180Hz 24dB/octave lowpass
Amplifier Output:	—	—	100 watts RMS, (250 watts Peak); BassTrac® circuitry eliminates distortion
Woofers:	3" with Phase Plugs & MagnaGuard®	3" with Phase Plugs & MagnaGuard	8" (203mm)
Tweeter:	1/2" (13mm)	1/2" (13mm)	—
Dimensions (H x W x D)	7 ³ / ₈ x 4 ³ / ₈ x 4 ¹¹ / ₁₆ " (189 x 113 x 93mm)	5 ¹¹ / ₁₆ x 12 ⁵ / ₈ x 3 ³ / ₄ " (145 x 321 x 95mm)	12 ¹ / ₄ x 11 ³ / ₁₆ x 15 ⁹ / ₁₆ " (310 x 284 x 395mm)
Weight	2.5 lbs (1.14kg)	4.6 lbs (2.1kg)	20 lbs (9kg)

MCS 95 Introduction

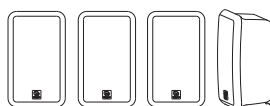
Thank you for purchasing a Boston Acoustics Multi-Channel Speaker System. These speakers incorporate high-quality components that produce the famous Boston sound. The system is ideally suited for use as a 5.1 channel solution in a high-quality home theater or music system. The system is complete with everything you need for the typical speaker system including speaker wire, satellite speakers, a center channel speaker, and a subwoofer. Please check out Bostonacoustics.com/placement for information on placing your speakers.

The MCS 95 speaker system delivers exceptionally articulate on-screen dialog, music, effects, and room filling bass from a small, sleek package. Compact driver placement and quality, system specific crossovers assure a wide uniform dispersion for complete coverage of a listening room. All speakers also feature MagnaGuard® magnetic shielding which ensures the speaker's magnetic field does not interfere with the television's picture.

Unpacking the System

Carefully unpack the system. If there is any sign of damage from transit, report it immediately to your dealer and/or delivery service. Keep the shipping carton and packing materials for future use. Open the package and verify the following contents:

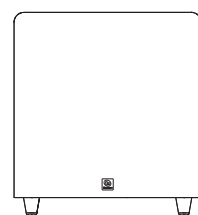
- (4) Satellite speakers**
- (1) Center Channel speaker**
- (1) Subwoofer**
- (2) 40' (12m) speaker wires**
- (3) 20' (6m) speaker wires**
- (1) 15' (4.6m) subwoofer cable**
- (8) Rubber bumpers (used for wall mounting)**



(4) Satellite speakers with 1 removable foot



(1) Center Channel speaker with 2 removable feet



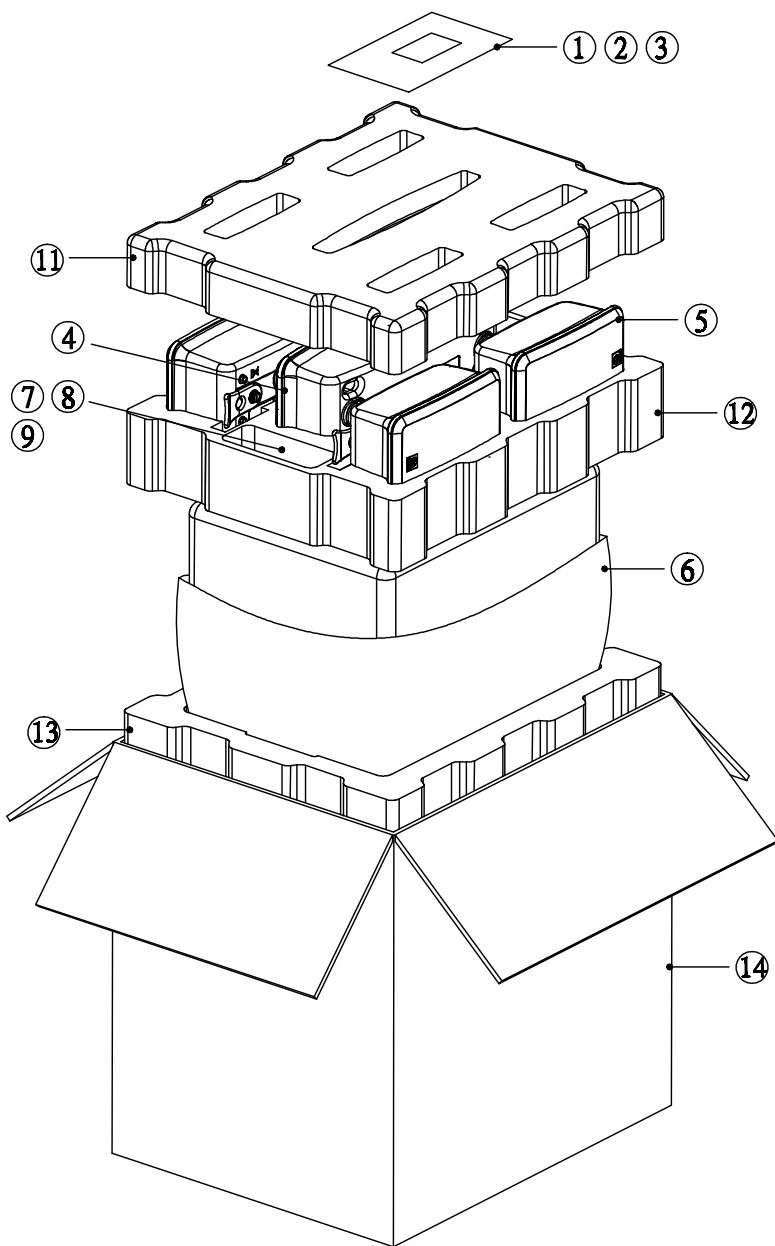
Subwoofer

MCS95 Service Parts List

BA Part Number	Part Description
110-002477	WOOFER 8 IN SNDWRESUB
110-002548	F/A MCS95 SAT BLK
110-002549	F/A MCS95 CTR BLK
120-002942	SPKR WIRE MCS 20FT SET OF 3
120-003063	SPKR WIRE MCS 40FT SET OF 2
120-003417	AMP ASSY MCS95 120V
131-000791	SUBWOOFER AUDIO CABLE 15FT
132-000162	FUSE 1.6A 250V 20MM VDE
137-001386	RUBBER BUMPER MCS SET OF 4
137-001634	PWR CORD 120V
141-002810	RSC-1-SYS MCS95
141-002813	STYROFOAM TOP
141-002814	STYROFOAM MIDDLE
141-002815	STYROFOAM BOTTOM
142-003845	OWNER'S MANUAL SYS MCS95
142-003850	QUICKSTART GUIDE MCS95



Item	Part Name	Part Number	Q'TY
1	說明書	406-000-06184-E	1.0
2	服務卡	405-000-05195-E	1.0
3	腳墊包	373-000-05089-E	2.0
4	無紡布袋	283-000-05209-0WAE	1.0
5	無紡布袋	283-000-05210-0WAE	4.0
6	珍珠棉袋	430-002-05363-E	1.0
7	訊號線	165-501501101-E	1.0
8	電線包	370-000-05085-E	1.0
9	電線包	370-000-05086-E	1.0
10	電源線	152-U60201A02-E	1.0
11	保麗龍top	431-000-07084-E	1.0
12	保麗龍mid	431-000-07085-E	1.0
13	保麗龍btm	431-000-07086-E	1.0
14	外箱	400-000-09457-E	1.0
15	活礦干燥劑	398-000-05328-E	1.0



備注:

- a. 將項目2&3放入說明書1袋中
- b. 把項目8與項目7&9分別插入保麗龍兩側槽內
- c. 項目10&15放在保麗龍bottom空槽內並用膠帶固定在紙箱上
- d. "H"型封箱

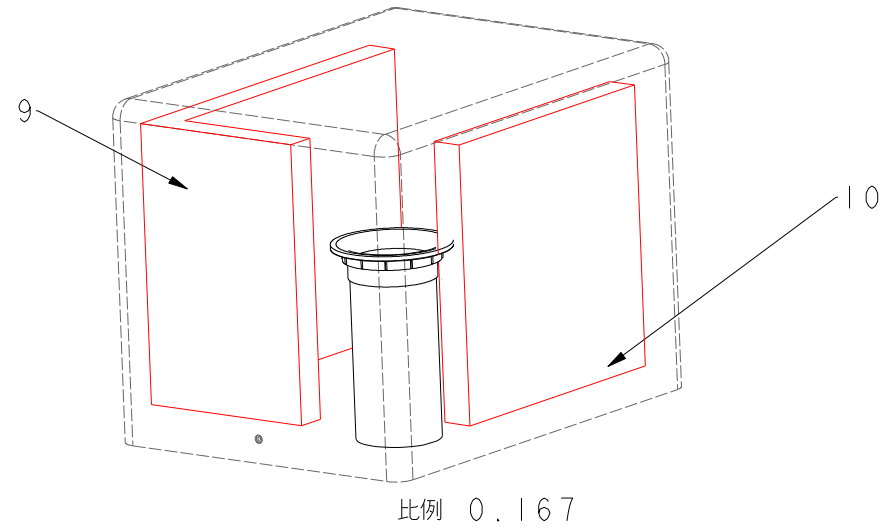
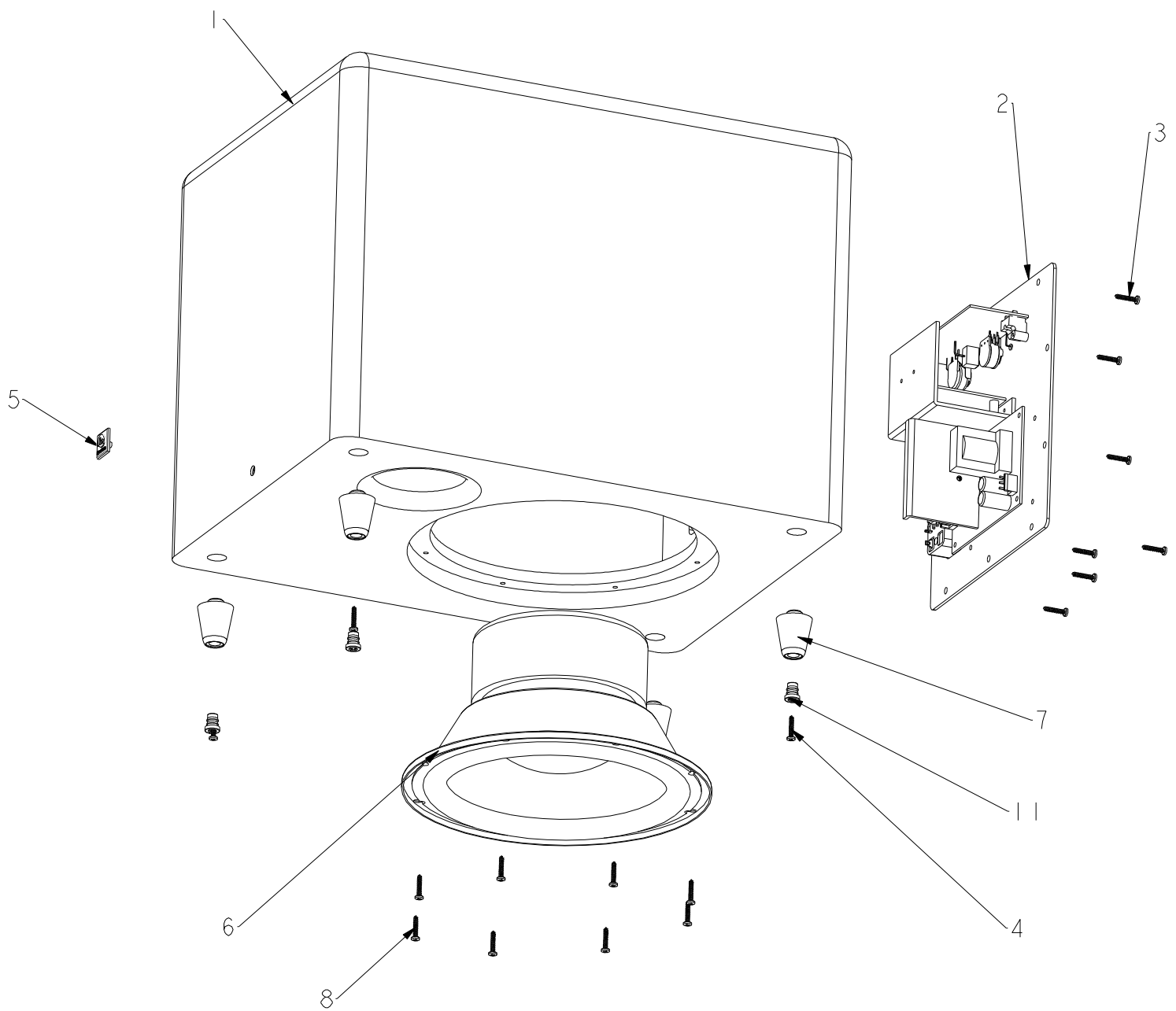
1SET/CTN

△2				核准	審查	制作
△1						
△0	初版發行					
編號	版本	訂正者	設變番號			

品管	生技	木工	油漆	裝配	作業指示			客戶: Boston
✓	✓			✓	NO: 1	版次	0	機種: 見差異表

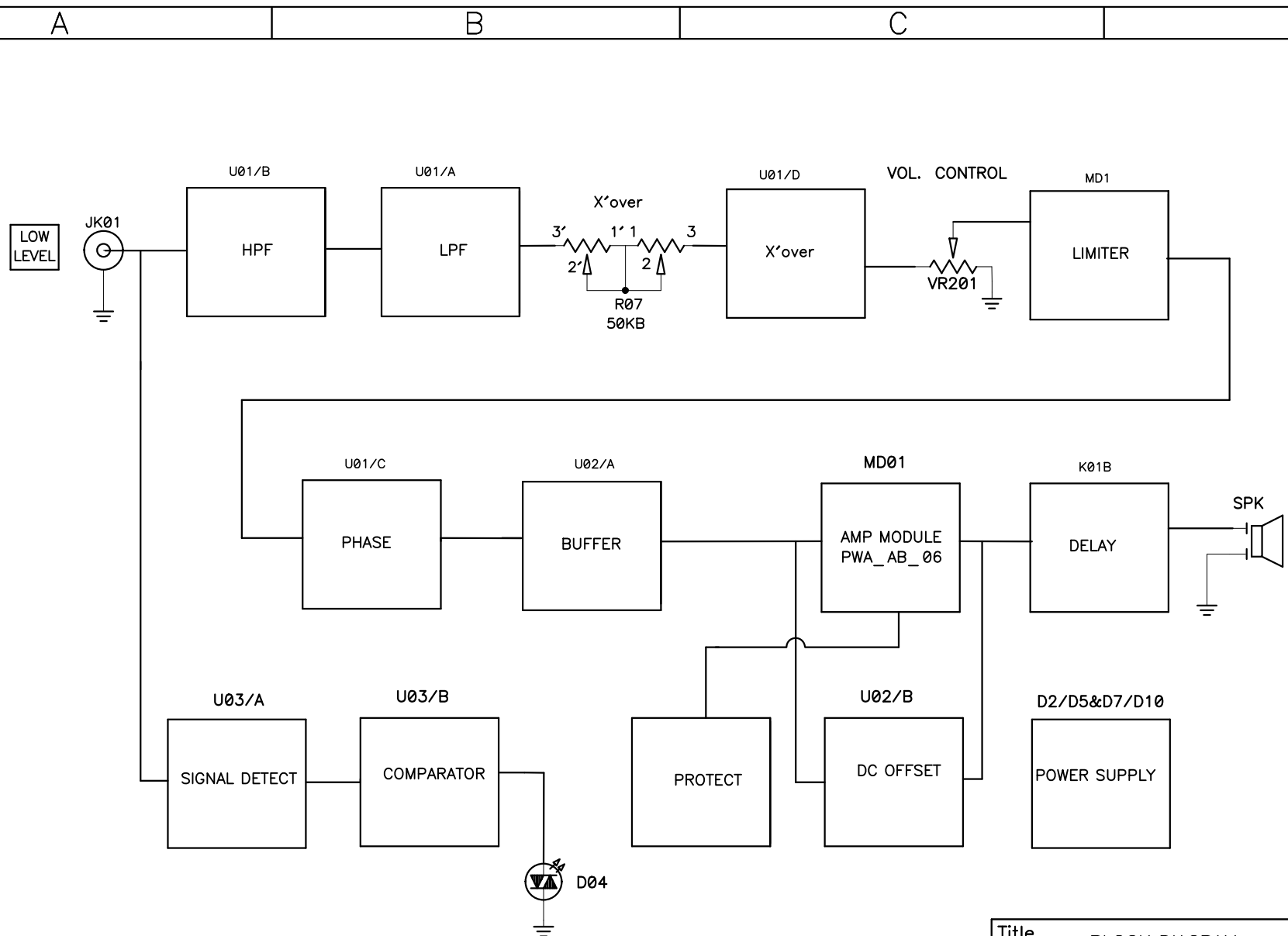
序號	料號	組裝時對應的木箱料號	組裝時對應的功放料號
1	MCS95B-01201	MCS95B-01201-SUB-E	010-2C07-05300-EP

序號	品名	料號	數量	單位	備注
1	黑色木箱	241-080-05479-0BAE	1	pcs	MCS95B-01201
2	120V功放黑色	010-2C07-05300-EP	1	pcs	MCS95B-01201
3	螺絲	352-AM04520D1308-E	10	pcs	固定功放用
4	螺絲	350-AM04020D045-E	4	pcs	固定腳架用
5	銘板	316-ABS-05311-0BAE	1	pcs	
6	8"低音	20PF10DX-01DW-E	1	pcs	
7	腳柱	325-ABS-05317-0BAE	4	pcs	
8	螺絲	352-AM04520D1308-E	8	pcs	固定低音用
9	吸音棉	328-SPG-05793-0WAE	1	pcs	
10	吸音棉	328-SPG-05794-0WAE	1	pcs	
11	母扣	327-010-01003-0BAE	4	pcs	

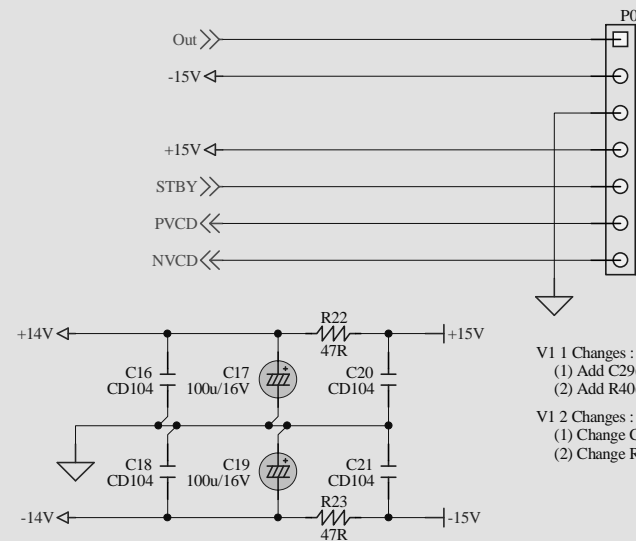
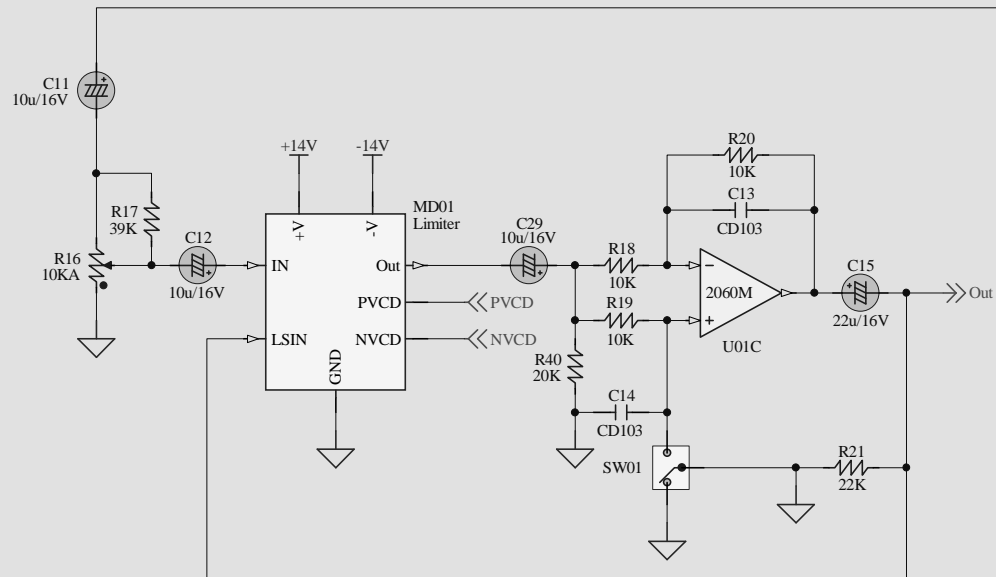
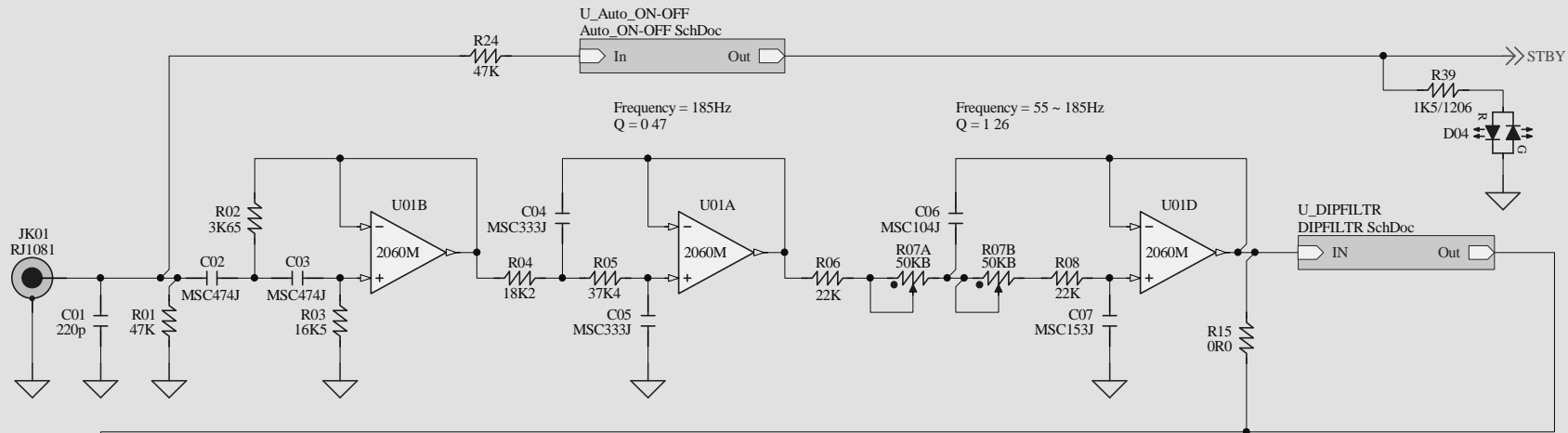


NOTE :
銘板安裝前需在木箱銘孔內點500-DA3188G-E (膠量需控制, 不可有溢膠現象)

△					核准	審查	制作
△	初版發行	10/01/26	熊珍偉				開發部 10/01/26 熊珍偉
編號	版本	日期	訂正者	設變番號			

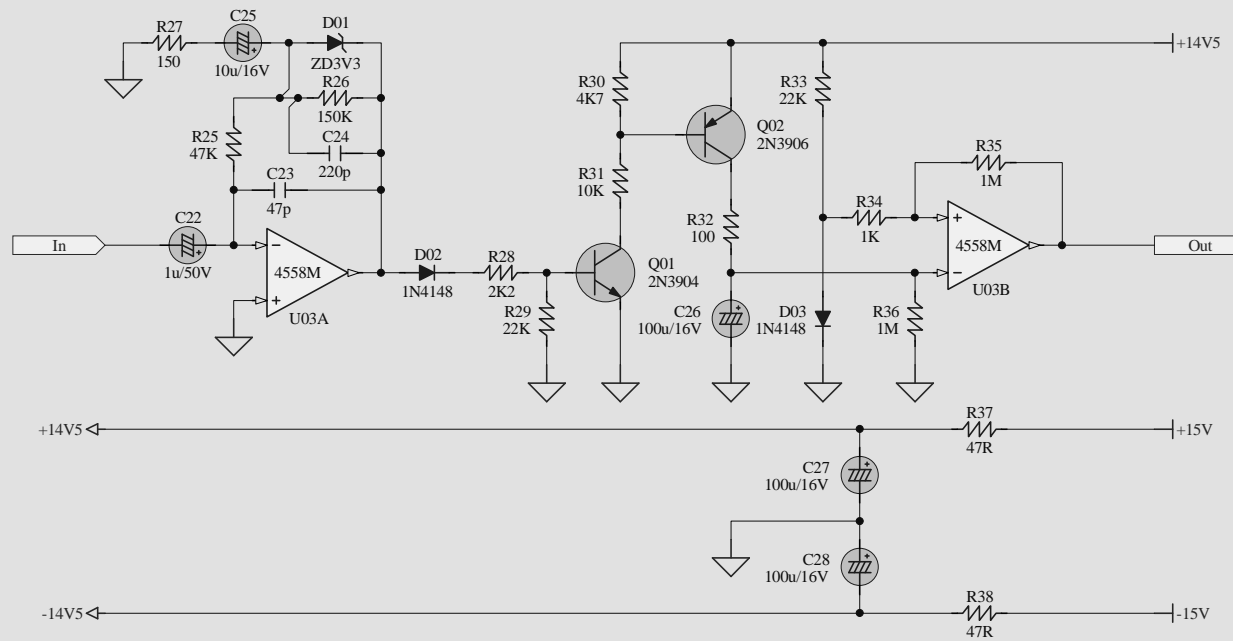


Title			BLOCK DIAGRAM		
Size	Number	Rev		A/0	
A4	SOUNDWARE XS 5.1				
Date	10/19/2010	Drawn by	Rfuliu		
Filename	SOUNDWARE XS 5.1 BLOCK DIAGRAM	Sheet	1 of 1		

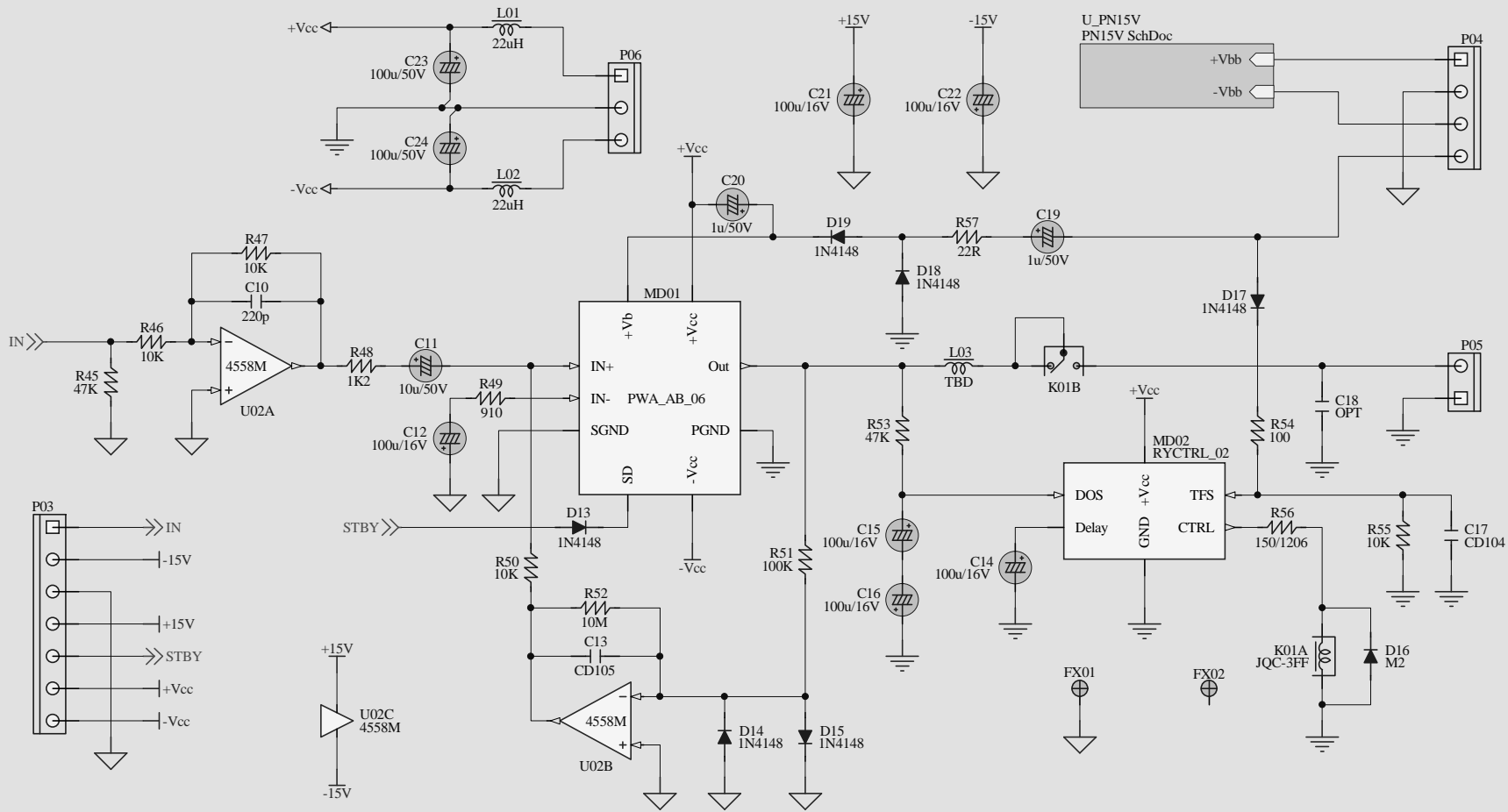


- V1 1 Changes :
 (1) Add C29(10uF/16V)
 (2) Add R40(20Kohm/0805)
- V1 2 Changes :
 (1) Change C26 to 100u/16V(220uF/16V)
 (2) Change R36 to 1Mohm(2M2onm)

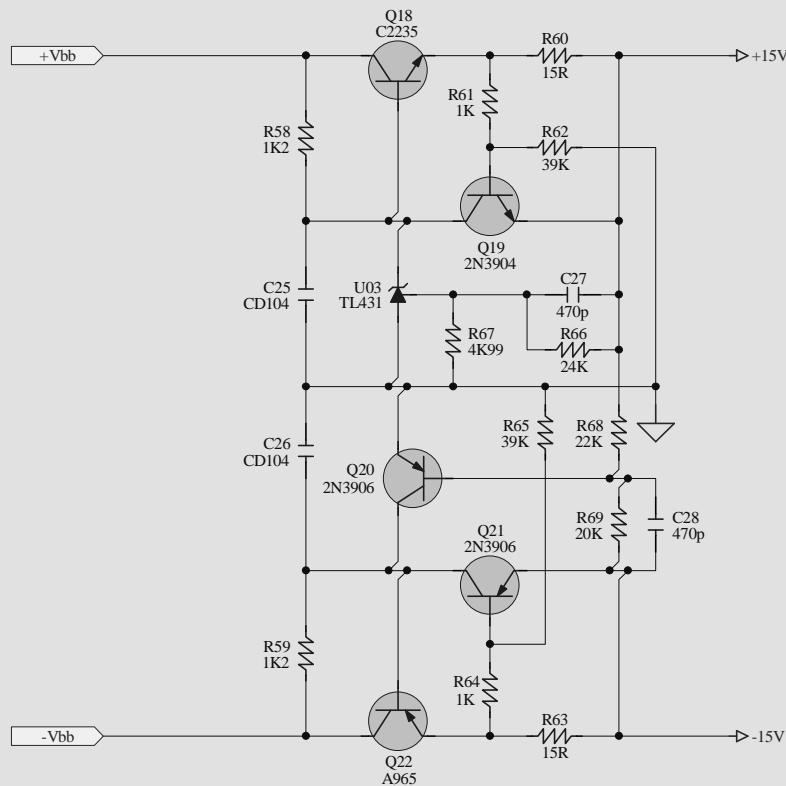
Title Pre Amplifier/Main		
Size A4	Number BN2008001	Revision 1.2
Date: 2010/1/19	Sheet 1 of 3	
File: D:\My File\Main SchDoc	Drawn By: Mike	



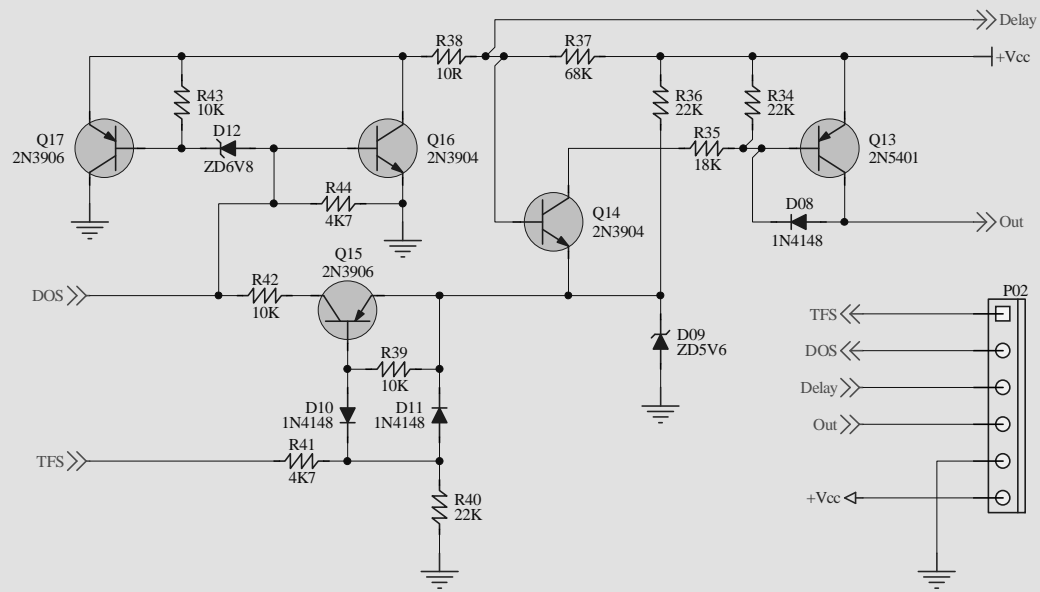
Title		
Pre Amplifier\Main\Auto_ON-OFF		
Size	Number	Revision
A4	BN2008001	1.2
Date:	2010/1/19	Sheet 3 of 3
File:	D:\My File\ \Auto_ON-OFF SchDoc	Drawn By: Mike



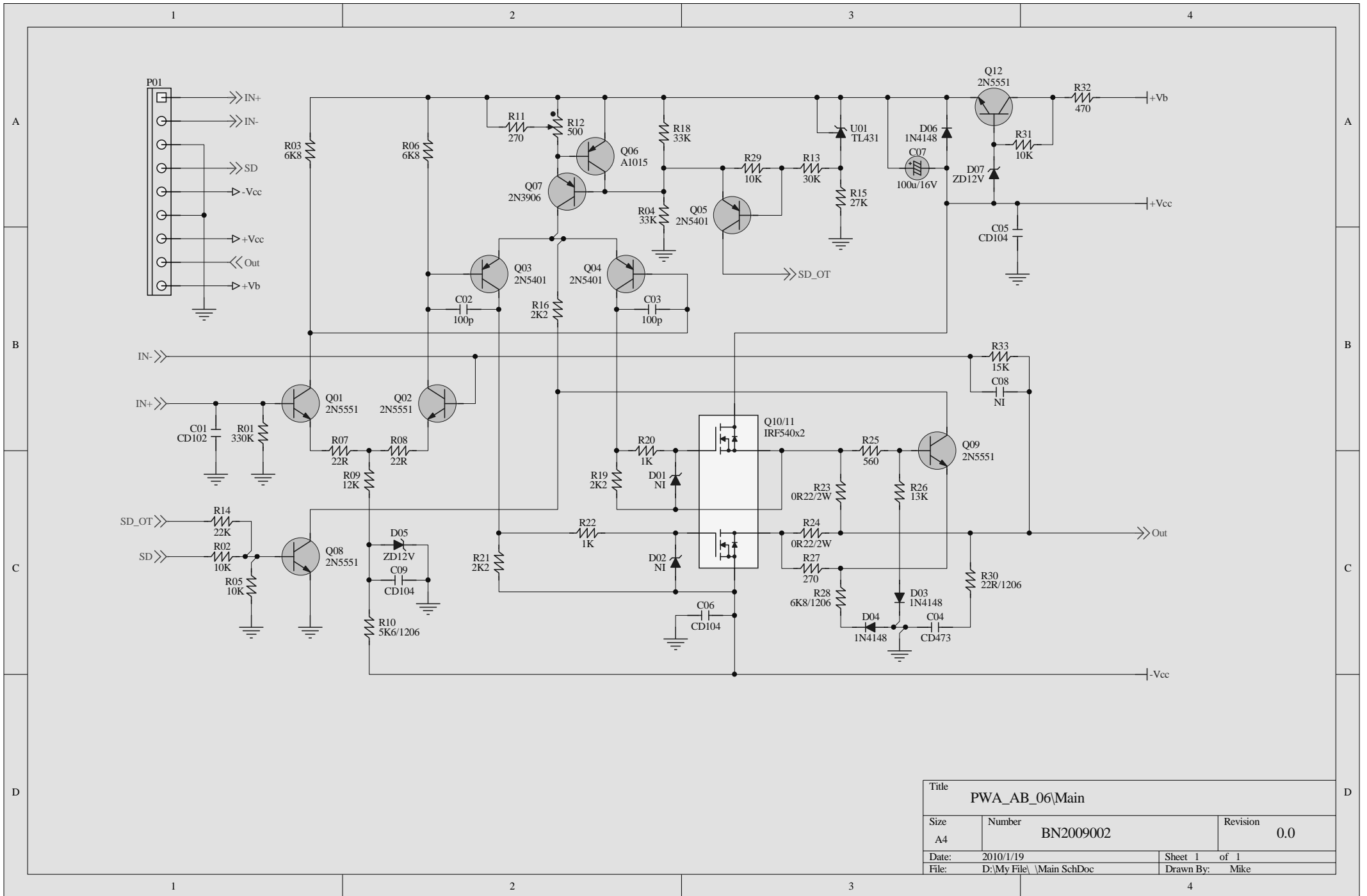
Title XS_mother/Main		
Size A4	Number BN2009001	Revision 0.0
Date: 2010/1/19	Sheet 1 of 2	
File: D:\My File\Main SchDoc	Drawn By: Mike	



Title		
XS_mother/Main/PN15V		
Size	Number	Revision
A4	BN2009001	0.0
Date:	2010/1/19	Sheet 2 of 2
File:	D:\My File\ \PN15V SchDoc	Drawn By: Mike



Title		
RYCTRL_02\Main		
Size	Number	Revision
A4	BN2008004	0.1
Date:	2010/1/19	Sheet 1 of 1
File:	D:\My File\ \Main SchDoc	Drawn By: Mike



Title			PWA_AB_06\Main		
Size	Number	Revision		0.0	
A4	BN2009002				
Date:	2010/1/19	Sheet 1	of 1		
File:	D:\My File\Main SchDoc	Drawn By:	Mike		

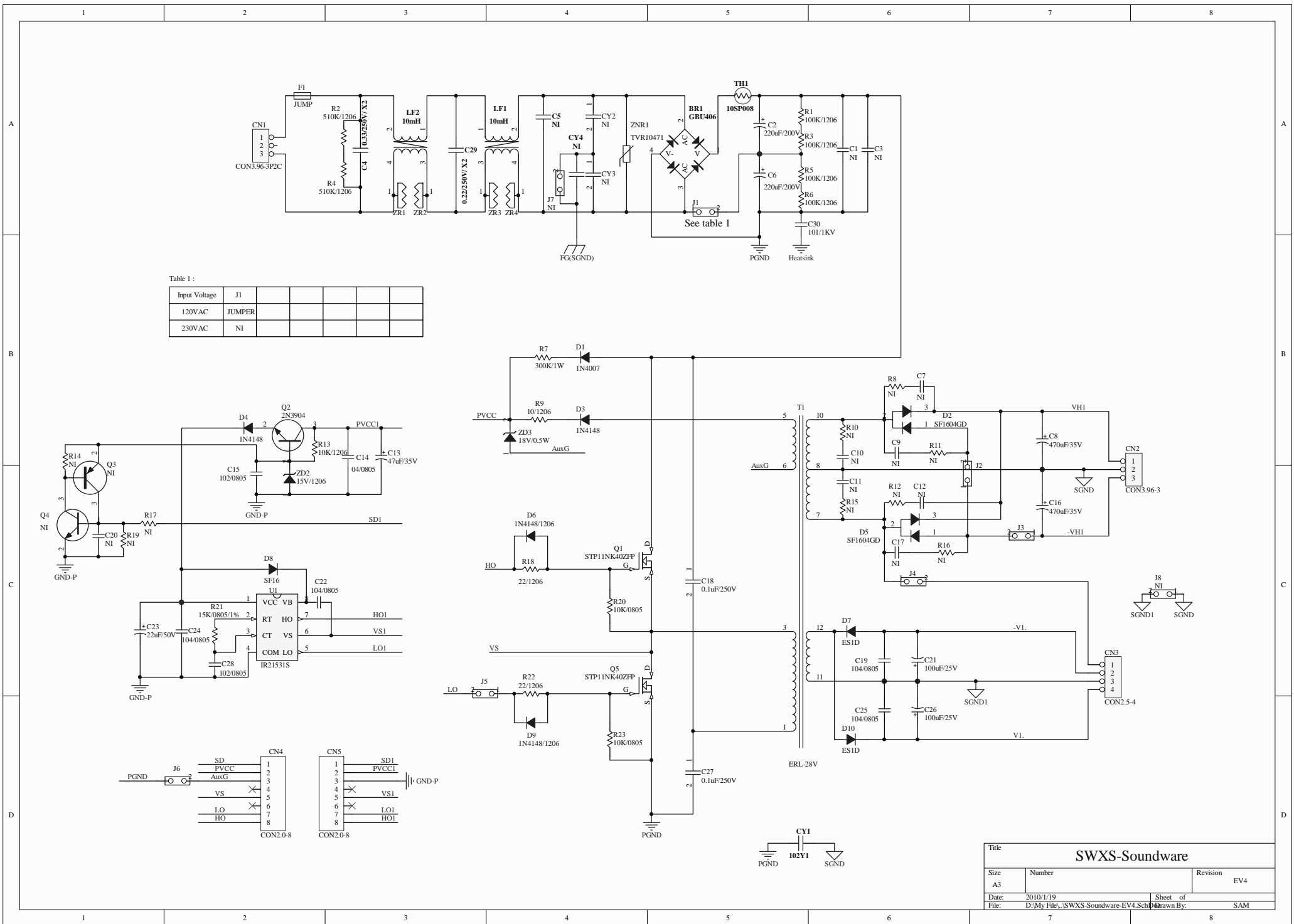
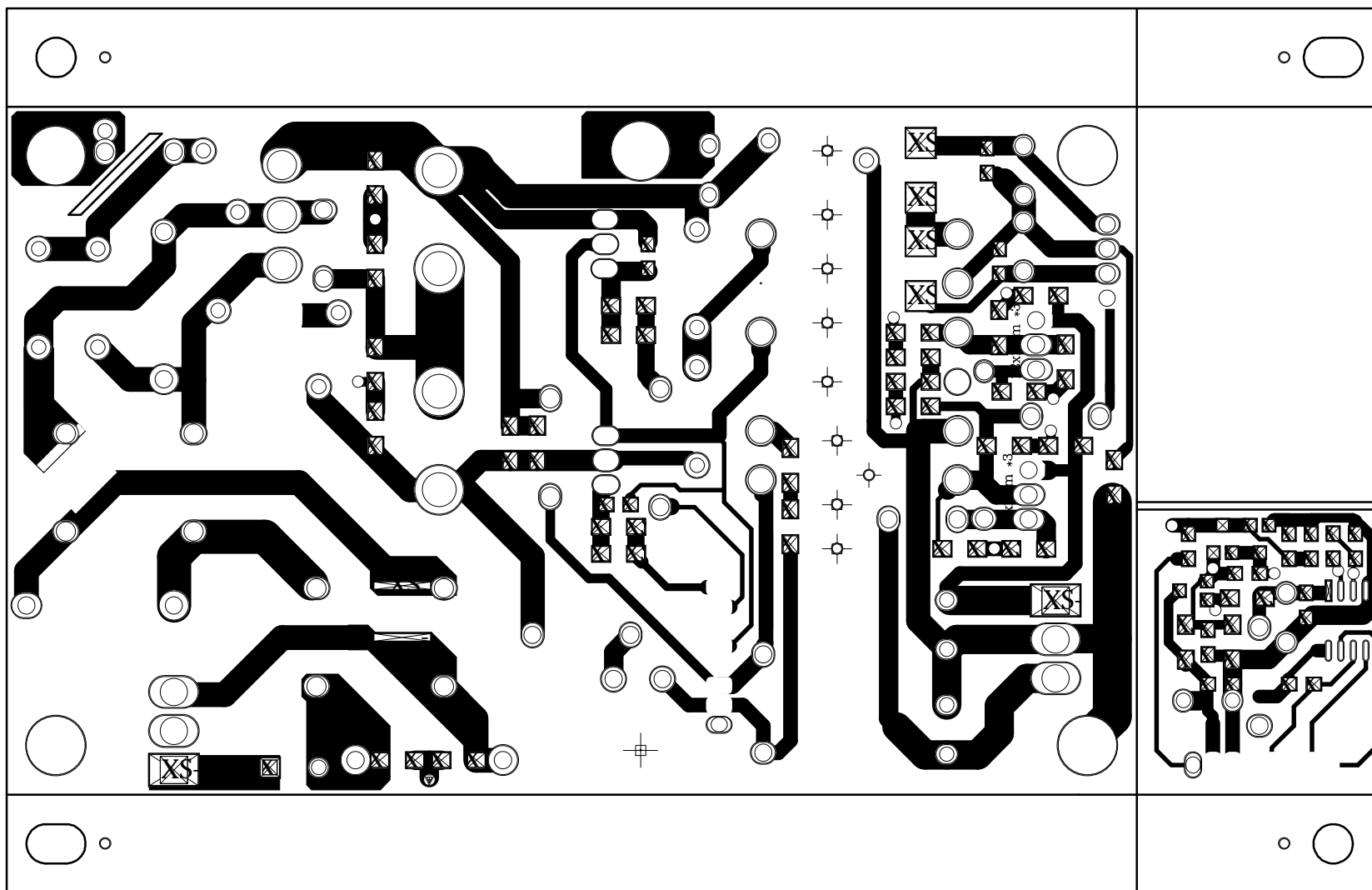


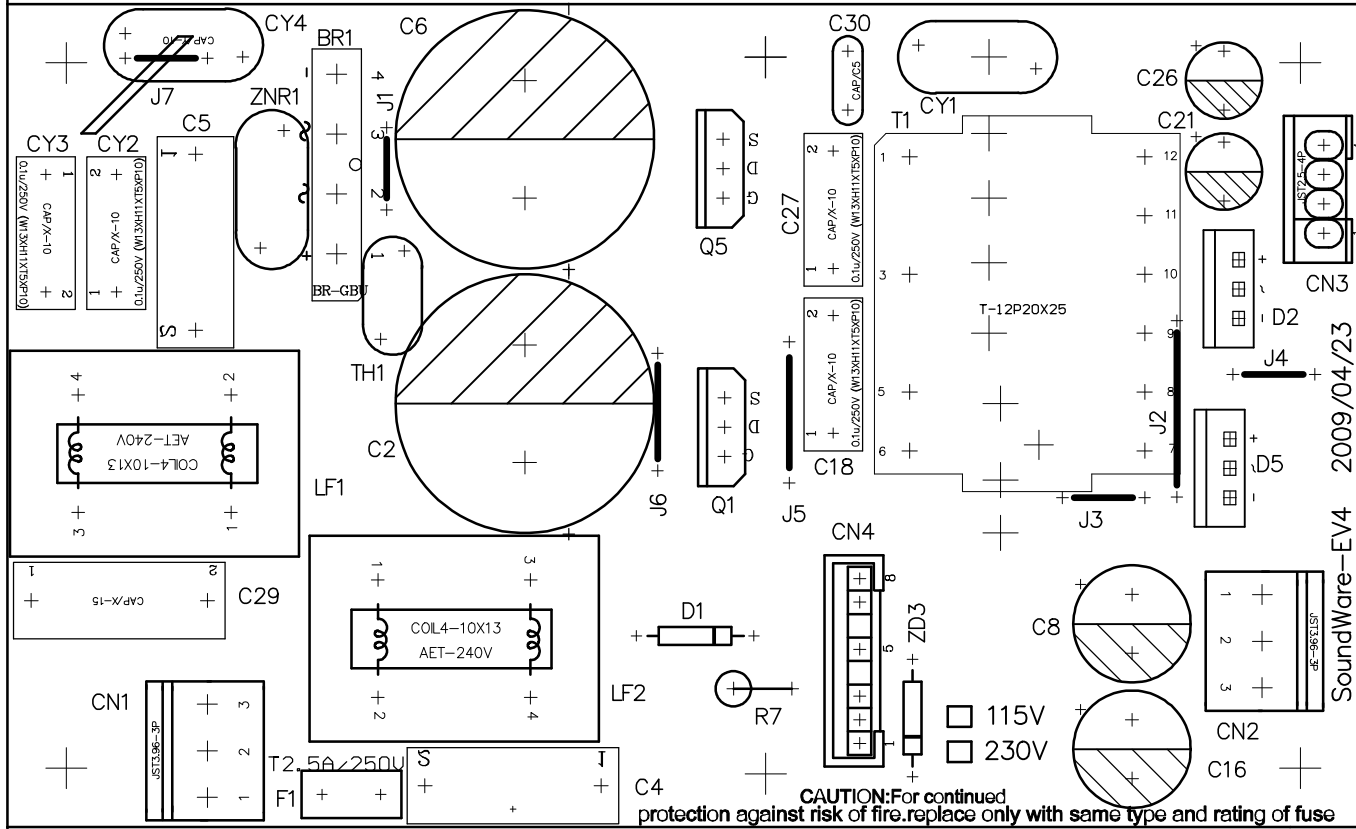
Table 1 :

Input Voltage	J1			
120VAC	JUMPER			
230VAC	NI			

Title		SWXS-Soundware	
Size	Number	Revision	EV4
A3			
Date:	2010/1/19	Sheet of	
File:	D:\My File\...SWXS-Soundware-EV4.Sch	Drawn By:	SAM

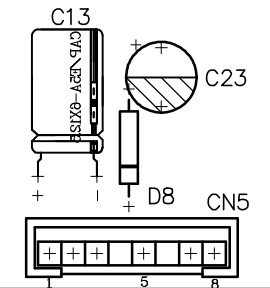


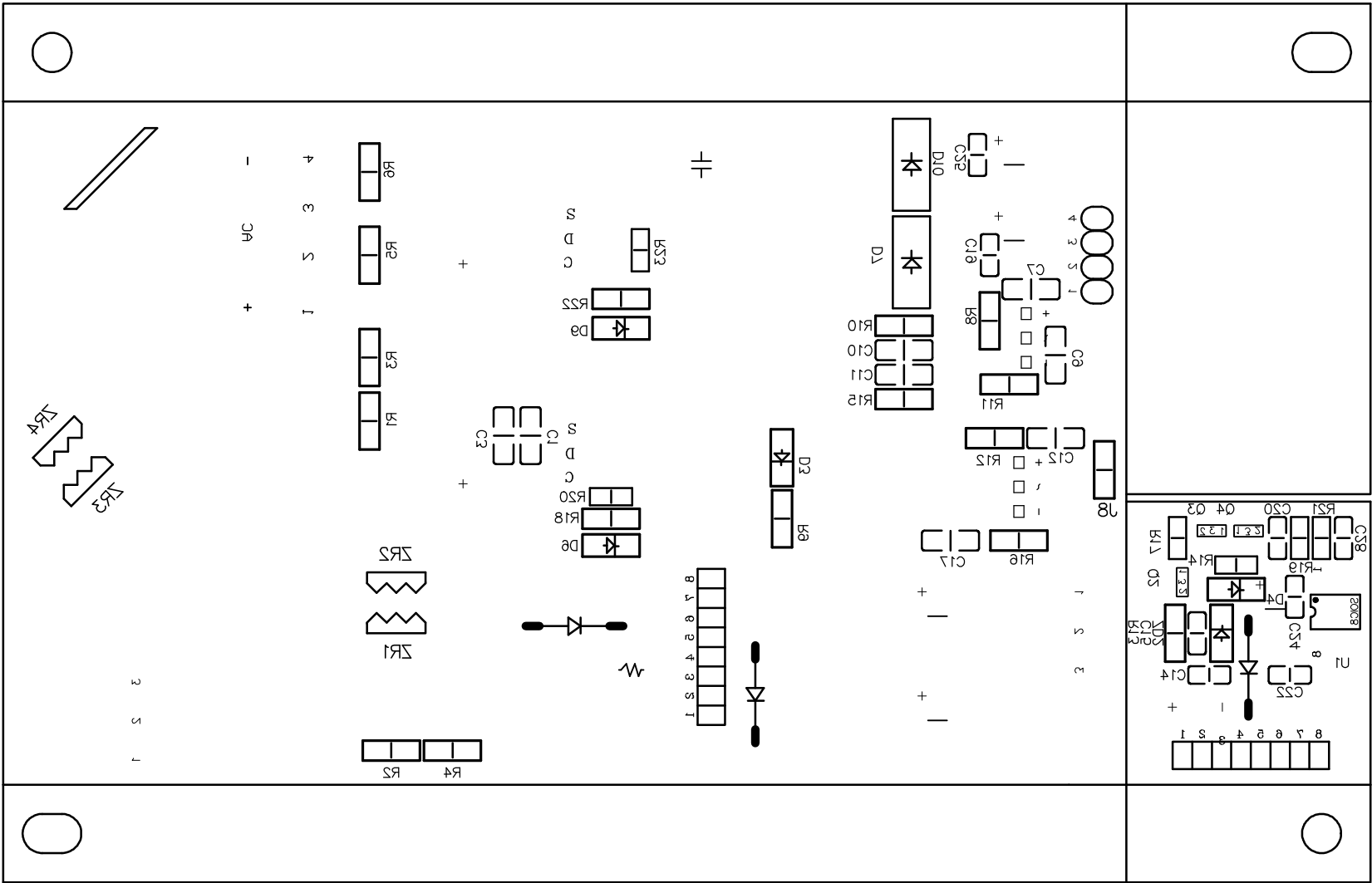
104-SWXPSUG01-E

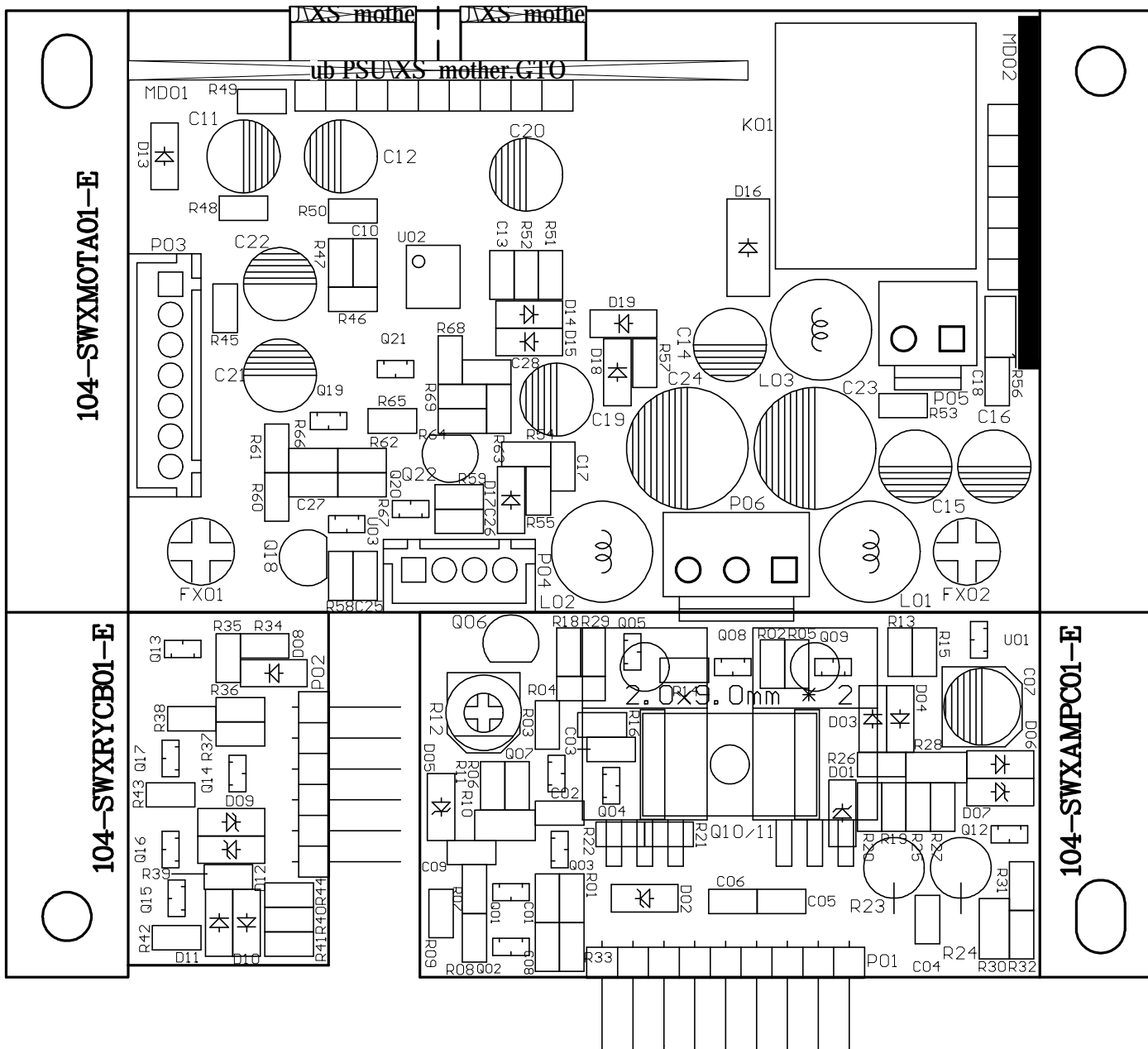


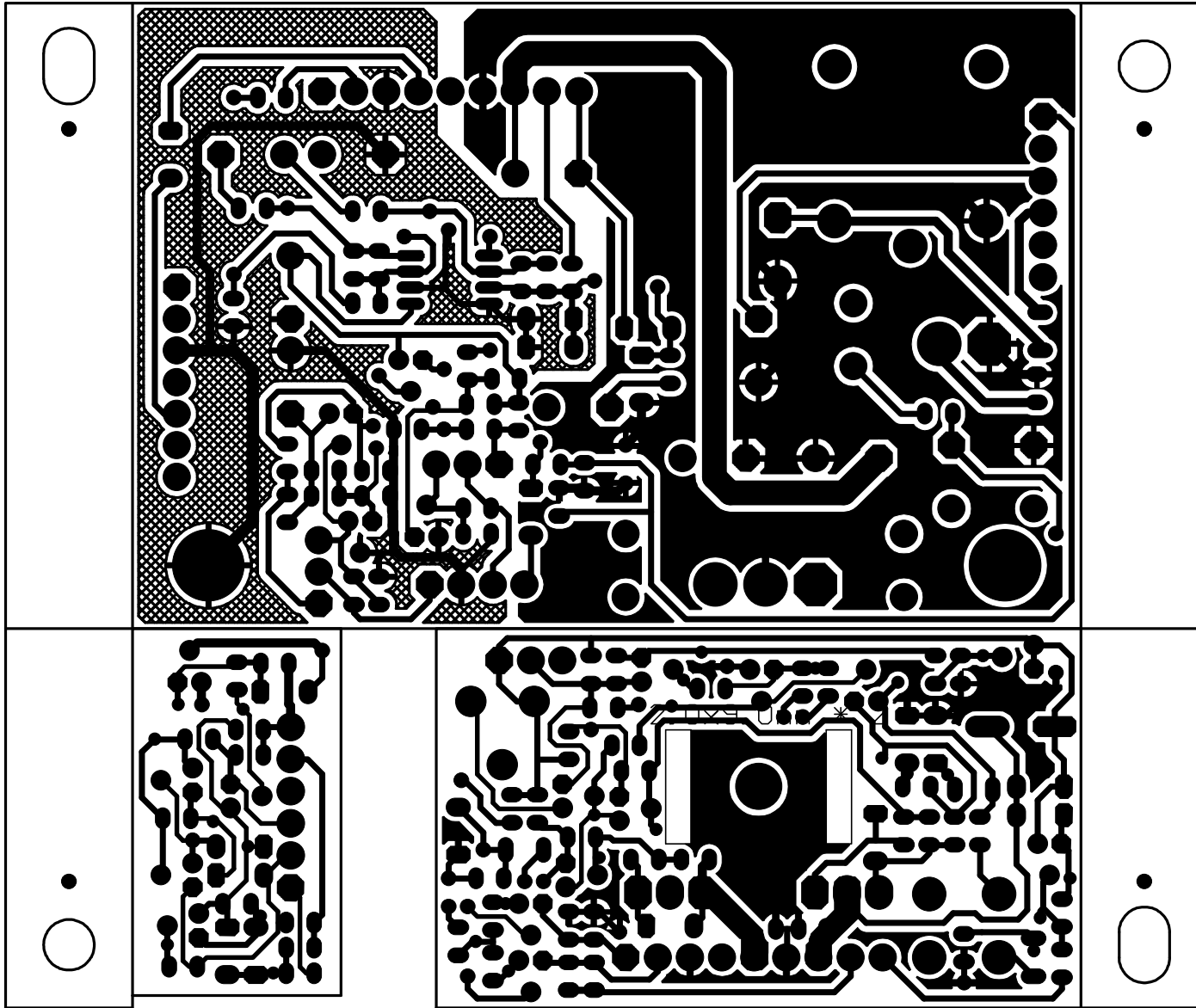
SoundWare-EV4 2009/04/23

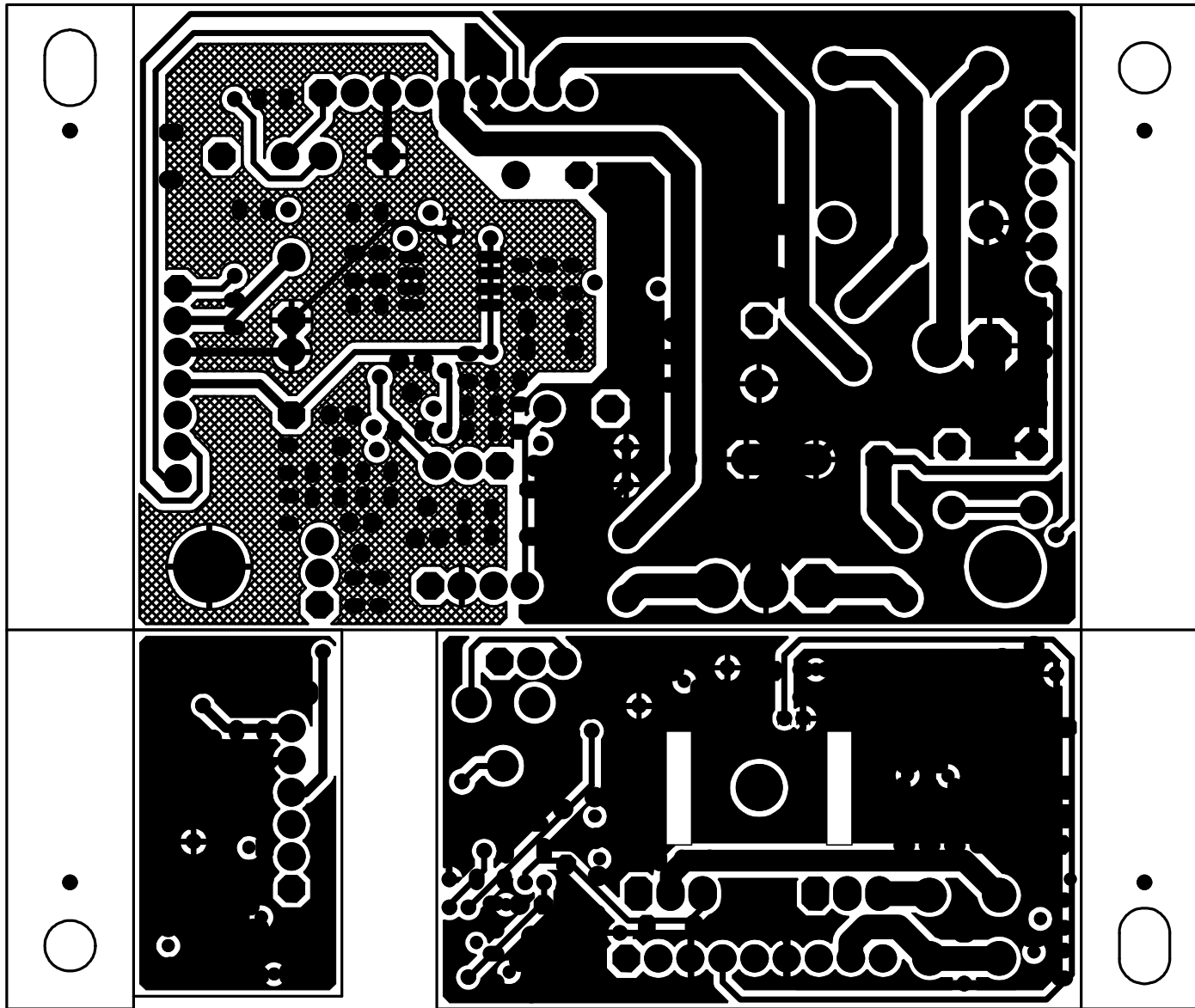
104-SWXPWMF01-E

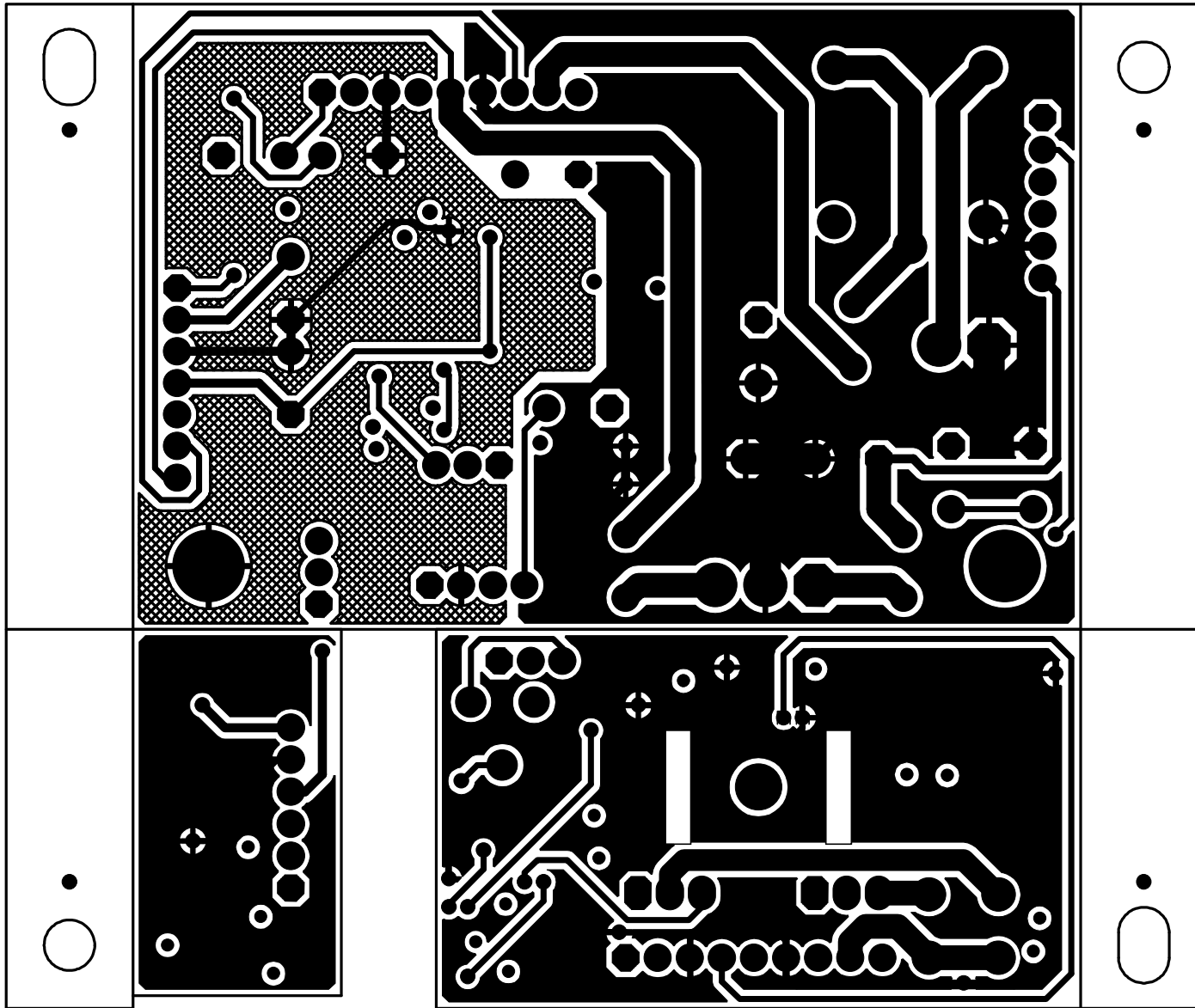


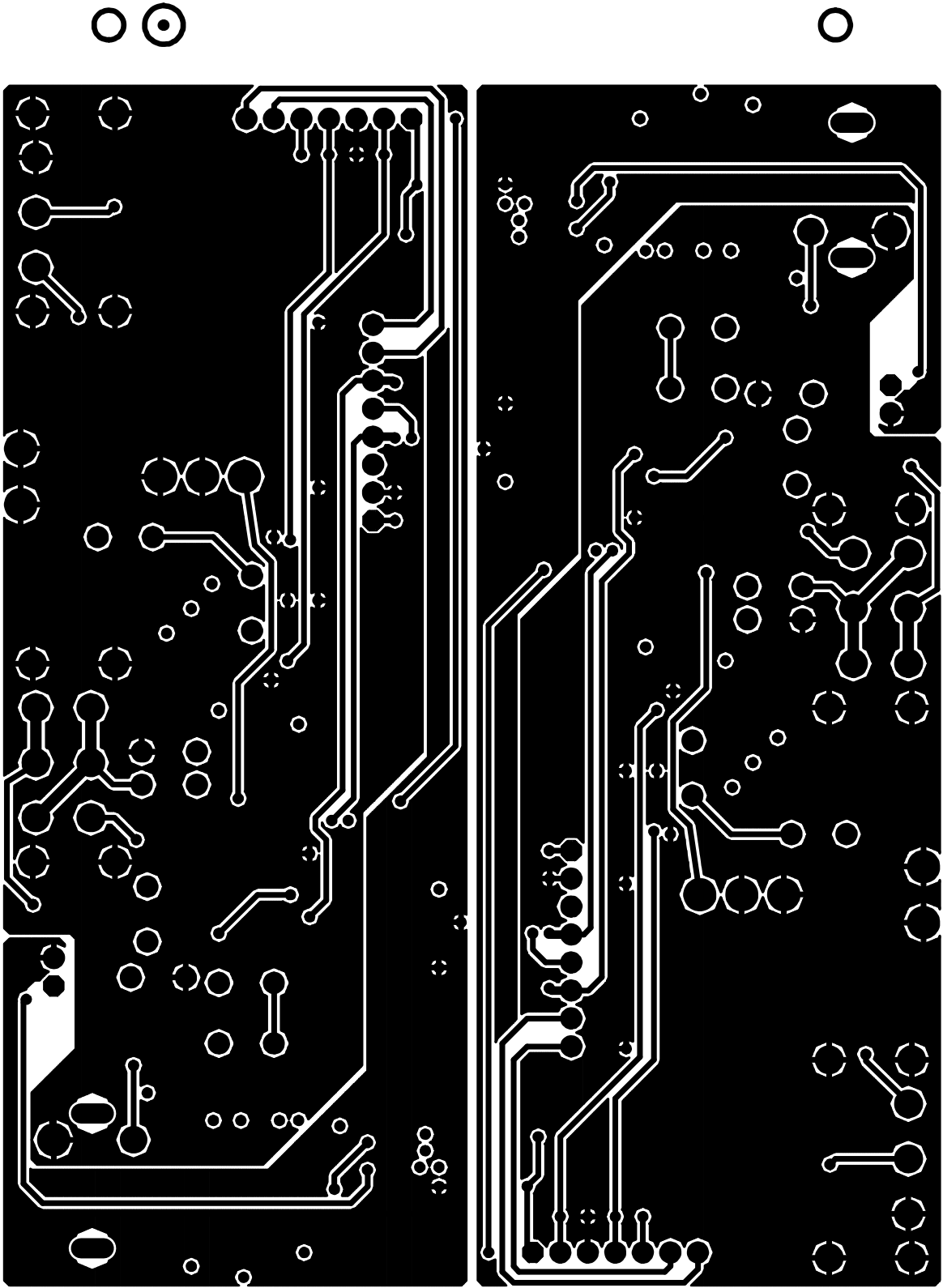












DE70053B



